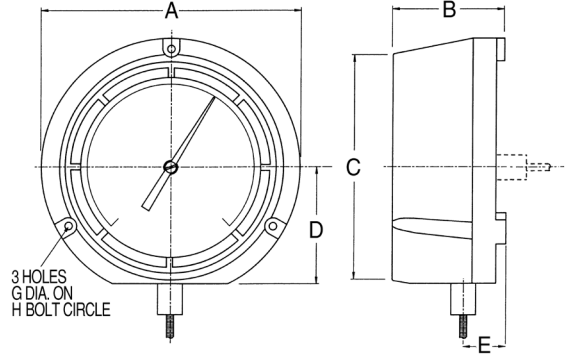


SURFACE (WALL) OR DIRECT MOUNT TYPES



Snap-in glass retaining ring.
Standard for 4 1/2" remote.

SURFACE (WALL) OR DIRECT MOUNT TYPES



| GAUGE SIZE | A | B | C | D | E | F | G | H |
|-------------|------|------|------|------|------|-----|-----|------|
| 4 1/2" INCH | 5.83 | 2.56 | 5.08 | 2.62 | 1.00 | .20 | .24 | 5.39 |

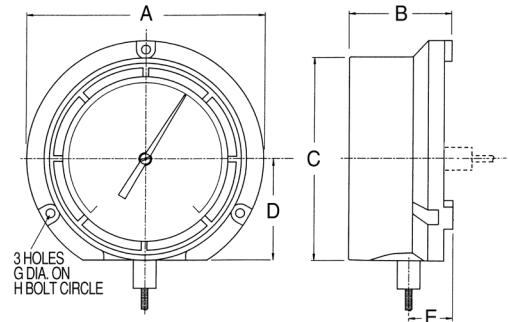
| STYLE | DIAL SIZE | MATERIAL |
|-------|-----------|---------------|
| P | 4 1/2" | Polypropylene |

SURFACE (WALL) MOUNT TYPES



Style "A" has bayonet type glass retaining ring.
Extra cost option.

SURFACE (WALL) MOUNT TYPES



| GAUGE SIZE | A | B | C | D | E | F | G | H |
|-------------|------|------|------|------|------|-----|-----|------|
| 4 1/2" INCH | 5.81 | 2.69 | 5.00 | 2.50 | 1.12 | .20 | .22 | 5.38 |

| STYLE | DIAL SIZE | MATERIAL |
|-------|-----------|---|
| A | 4 1/2" | Aluminum Black Textured Enamel Finish |

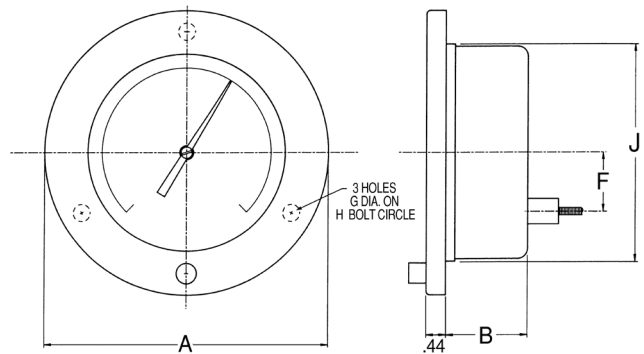
HINGED FRONT TYPE FOR FLUSH MOUNTING



Molded plastic hinged front ring allows easy access to dial and pointer.
Extra cost option.

NOTE: Only available with rear (back) connection.

HINGED FRONT TYPE FOR FLUSH MOUNTING



| GAUGE SIZE | A | B | F | G | H | J |
|-------------|------|------|------|-----|------|------|
| 4 1/2" INCH | 6.31 | 1.63 | 1.35 | .19 | 5.38 | 4.88 |

| STYLE | DIAL SIZE | MATERIAL |
|-------|-----------|---|
| W | 4 1/2" | Aluminum Black Textured Enamel Finish |

X-PANEL HOLE CUT-OUT DIAMETER

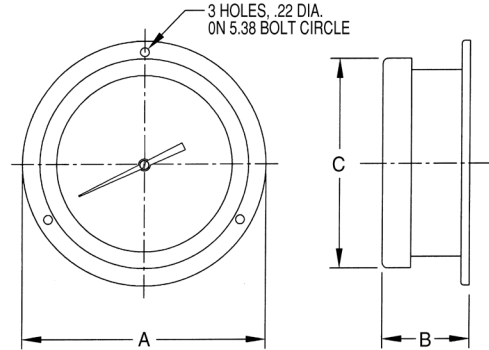
SURFACE (WALL) MOUNT TYPES



**BAYONET TYPE GLASS
RETAINING RING**
4½" dial size remote mount
thermometers.
Extra cost option.

| STYLE | DIAL SIZE(S) | MATERIAL |
|-------|--------------|-----------------|
| X | 4½" | Stainless Steel |

SURFACE (WALL) MOUNT TYPES



| GAUGE SIZE | A | B | C | G | H |
|------------|------|------|------|-----|------|
| 4½" INCH | 5.90 | 2.10 | 5.05 | .22 | 5.38 |

HINGED FRONT TYPE FOR FLUSH MOUNTING

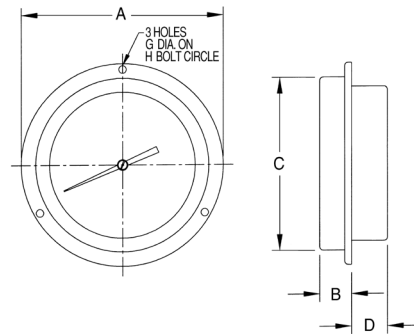


Front flanged case for semi-flush
mounting.
Bayonet type glass retaining ring.
Extra cost option.

NOTE: Only available with rear (back) connection.

| STYLE | DIAL SIZE(S) | MATERIAL |
|-------|--------------|-----------------|
| V | 4½" | Stainless Steel |

HINGED FRONT TYPE FOR FLUSH MOUNTING



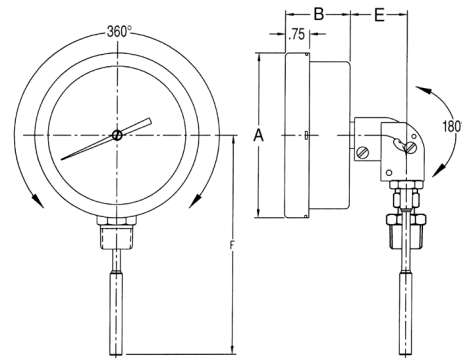
| GAUGE SIZE | A | B | C | D | G | H |
|------------|------|-----|------|------|-----|------|
| 4½" INCH | 5.90 | .94 | 5.05 | 1.04 | .22 | 5.55 |

DIRECT MOUNT TYPES (Flangeless Case)



**BAYONET TYPE GLASS
RETAINING RING**
Standard on all stainless steel
adjust angle.

DIRECT MOUNT TYPES (Flangeless Case)



| GAUGE SIZE | A | B | E | F |
|------------|------|------|------|------|
| 4½" INCH | 5.04 | 2.00 | 1.75 | 6.81 |

X-PANEL HOLE CUT-OUT DIAMETER