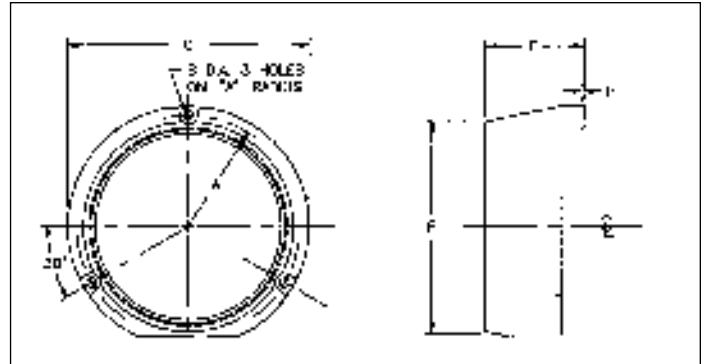


**SURFACE (WALL) OR DIRECT MOUNT TYPES**



Snap-in glass retaining ring.  
Standard for 4½" remote or direct mount types (except all stainless steel adjust angle).



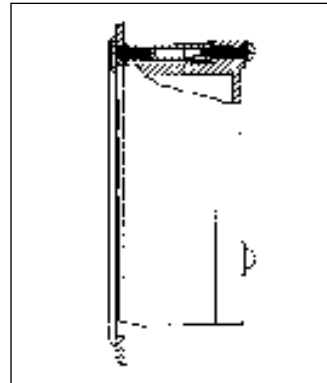
STYLE	DIAL SIZE(S)	MATERIAL
P	4½" Only	Polypropylene

GAUGE SIZE		A	B	C	E	F	P
4½	INCH	2 11/16	¼	5 13/16	2 7/16	5 1/16	1/16
	MM	68	6	148	62	129	2

**FLUSH MOUNTING RING KIT FOR STYLE "P" CASE**

CATALOG NUMBER	FOR USE WITH	PANEL CUT-OUT DIAMETER
TR45	4½" "P" Case	5.675"

Kit consists of flush mounting ring plus necessary hardware for mounting (screws, washers, spacer posts).



**SURFACE (WALL) MOUNT TYPES**



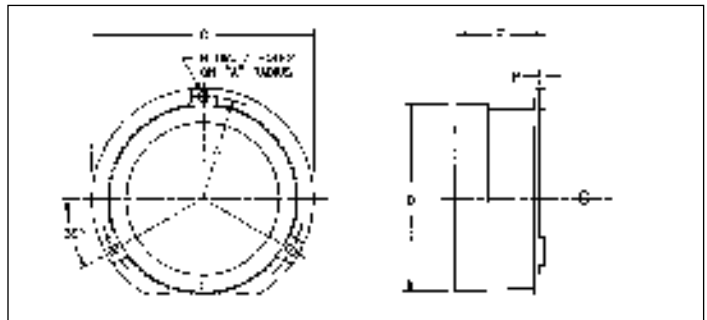
Style "A" has bayonet type glass retaining ring.

Style "G" has chrome like slip on glass retaining ring.

Style "A" is standard on 3½" and 6" dial size remote mount thermometers and is optional for 4½" dial size.

Style "G" is standard on 8½" dial size remote mount thermometers.

STYLE	DIAL SIZE(S)	MATERIAL
A	3½" - 4½" - 6"	Aluminum Black Textured Enamel Finish
G	8½" Only	



GAUGE SIZE		A	B	C	E	F	P
3½	INCH	2 1/8	3/16	5	4	2 1/16	1/8
	MM	64	5	127	102	52	3
4½	INCH	2 11/16	3/16	5 1/8	4 13/16	2 7/16	1/8
	MM	68	5	149	125	62	3
6	INCH	3 9/16	¼	7 1/8	6 7/16	2 1/2	1/8
	MM	90	6	194	164	64	3
8½	INCH	4 13/16	¼	10 1/4	8 13/16	2 5/16	1/16
	MM	122	6	260	227	59	2

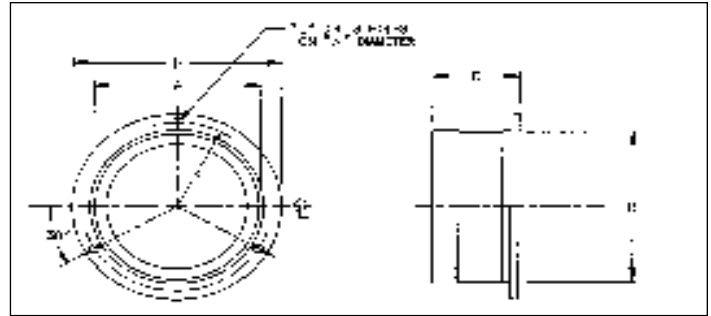
NOTE: ALL DIMENSIONS ARE APPROXIMATE.

**SURFACE (WALL) MOUNT TYPES (Cont.)**



**BAYONET TYPE GLASS RETAINING RING**  
Extra cost option for 3½" or 4½" dial size remote mount thermometers.

STYLE	DIAL SIZE(S)	MATERIAL
X	3½" and 4½"	Stainless Steel (300 Series)



GAUGE SIZE		A	B	C	H	K	L
3½	INCH	3 <sup>15</sup> / <sub>16</sub>	3 <sup>3</sup> / <sub>8</sub>	1 <sup>1</sup> / <sub>8</sub>	5 <sup>5</sup> / <sub>16</sub>	4 <sup>3</sup> / <sub>8</sub>	7 <sup>1</sup> / <sub>32</sub>
	MM	100	92	41	132	111	6
4½	INCH	4 <sup>7</sup> / <sub>8</sub>	4 <sup>9</sup> / <sub>16</sub>	2 <sup>5</sup> / <sub>16</sub>	6	5 <sup>3</sup> / <sub>8</sub>	7 <sup>1</sup> / <sub>32</sub>
	MM	124	116	59	152	137	6

**DIRECT MOUNT TYPES (Flangless Case)**

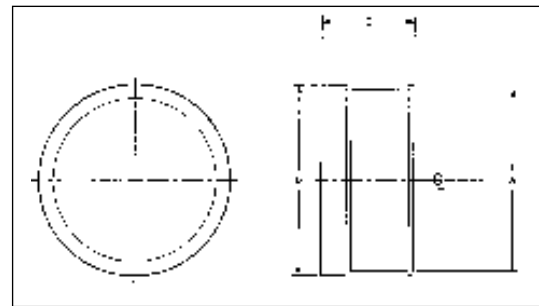


Style "C" is standard on 3½" and 6" dial size direct mount thermometers and is extra cost option for 4½" dial size.

Style "I" is standard for 8½" dial size direct mount thermometers.

Glass retaining ring is Bayonet type on style "C" and slip-on type on style "I".

STYLE	DIAL SIZE(S)	MATERIAL
C	3½" - 4½" - 6"	Aluminum Black Textured Enamel Finish
I	8½" Only	

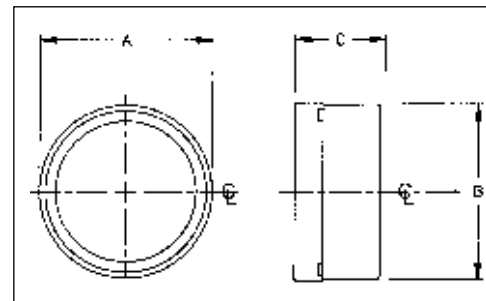


GAUGE SIZE		A	BEZEL-D		E
			BAY'NT	SLIP	
3½	INCH	3 <sup>3</sup> / <sub>8</sub>	4 <sup>3</sup> / <sub>8</sub>	-	2
	MM	98	105	-	51
4½	INCH	4 <sup>15</sup> / <sub>16</sub>	5	-	2 <sup>5</sup> / <sub>8</sub>
	MM	125	127	-	60
6	INCH	6 <sup>7</sup> / <sub>16</sub>	6 <sup>1</sup> / <sub>2</sub>	-	2 <sup>7</sup> / <sub>16</sub>
	MM	164	165	-	62
8½	INCH	8 <sup>5</sup> / <sub>8</sub>	-	8 <sup>3</sup> / <sub>4</sub>	2 <sup>1</sup> / <sub>4</sub>
	MM	219	-	222	57



**BAYONET TYPE GLASS RETAINING RING**  
Standard on all stainless steel adjust angle, extra cost on all other 3½" or 4½" dial size direct mount thermometers.

STYLE	DIAL SIZE(S)	MATERIAL
Y	3½" and 4½"	Stainless Steel (300 Series)



GAUGE SIZE		A	B	C
3½	INCH	3 <sup>15</sup> / <sub>16</sub>	3 <sup>3</sup> / <sub>8</sub>	1 <sup>1</sup> / <sub>8</sub>
	MM	100	92	41
4½	INCH	4 <sup>7</sup> / <sub>8</sub>	4 <sup>9</sup> / <sub>16</sub>	2 <sup>5</sup> / <sub>16</sub>
	MM	124	116	56

NOTE: ALL DIMENSIONS ARE APPROXIMATE.

**FLUSH PANEL MOUNT TYPES**

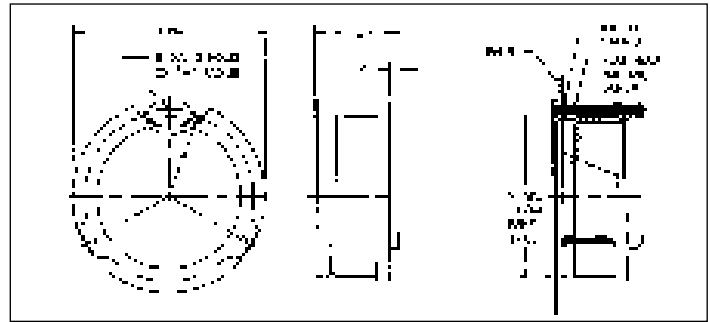


Flanged threaded glass retaining ring for full flush mounting.

Extra cost option on all dial size remote mount thermometers.

NOTE: Rear (back) connections are recommended for flush mounting. Bottom connection is also available.  
NOTE: Style "E" formerly was style "AF".

STYLE	DIAL SIZE(S)	MATERIAL
E	3½", 4½", 6" and 8½"	Aluminum Black Textured Enamel Finish



GAUGE SIZE		A	B	C	D	E	P	X	SCREW SIZE
3½	INCH	2 <sup>3</sup> / <sub>16</sub>	<sup>7</sup> / <sub>32</sub>	5	4 <sup>15</sup> / <sub>16</sub>	2	<sup>1</sup> / <sub>8</sub>	4	10-32 x 2½
	MM	56	6	127	125	51	3	102	
4½	INCH	2 <sup>11</sup> / <sub>16</sub>	<sup>7</sup> / <sub>32</sub>	5 <sup>7</sup> / <sub>8</sub>	6	2 <sup>7</sup> / <sub>16</sub>	<sup>3</sup> / <sub>16</sub>	5	10-32 x 2½
	MM	68	6	149	152	62	5	127	
6	INCH	3½	<sup>9</sup> / <sub>32</sub>	7 <sup>5</sup> / <sub>8</sub>	7 <sup>3</sup> / <sub>4</sub>	2 <sup>1</sup> / <sub>16</sub>	<sup>3</sup> / <sub>16</sub>	6½	¼-20 x 2½
	MM	89	7	194	197	62	5	165	
8½	INCH	4 <sup>13</sup> / <sub>16</sub>	<sup>9</sup> / <sub>32</sub>	10 <sup>1</sup> / <sub>8</sub>	10 <sup>3</sup> / <sub>8</sub>	2 <sup>5</sup> / <sub>16</sub>	<sup>1</sup> / <sub>16</sub>	9	¼-20 x 2½
	MM	122	7	257	264	59	2	229	

**HINGED FRONT TYPE FOR FLUSH MOUNTING**

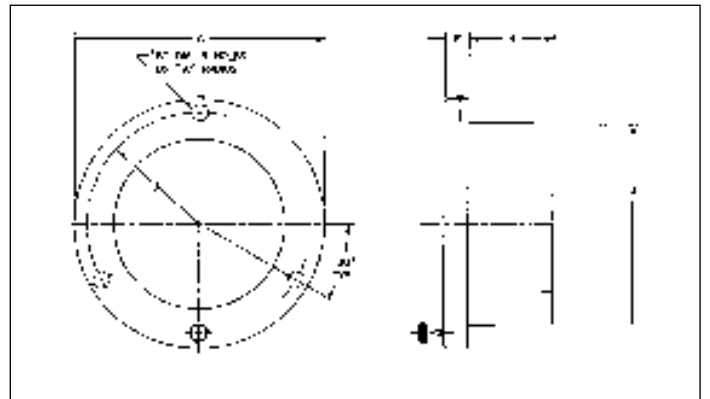


Molded plastic hinged front ring allows easy access to dial and pointer.

Extra cost option on 4½" and 6" dial size remote mount thermometers.

NOTE: Only available with rear (back) connection.

STYLE	DIAL SIZE(S)	MATERIAL
W	4½" and 6"	Aluminum Black Textured Enamel Finish



GAUGE SIZE		A	B	C	D	E	H	X
4½	INCH	2 <sup>11</sup> / <sub>16</sub>	<sup>3</sup> / <sub>16</sub>	6 <sup>3</sup> / <sub>16</sub>	4 <sup>7</sup> / <sub>8</sub>	<sup>5</sup> / <sub>8</sub>	2	4 <sup>15</sup> / <sub>16</sub>
	MM	68	5	157	124	16	51	125
6	INCH	3½	<sup>3</sup> / <sub>16</sub>	7 <sup>13</sup> / <sub>16</sub>	6 <sup>7</sup> / <sub>8</sub>	<sup>5</sup> / <sub>8</sub>	1 <sup>3</sup> / <sub>4</sub>	6 <sup>7</sup> / <sub>16</sub>
	MM	89	5	198	168	16	44	164

X-PANEL HOLE CUT-OUT DIAMETER

NOTE: ALL DIMENSIONS ARE APPROXIMATE.

**FLUSH PANEL MOUNT TYPES**



Front flanged case for semi-flush mounting.

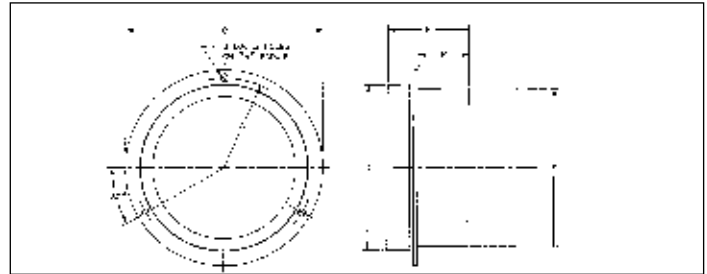
Style "B" has Bayonet type glass retaining ring.

Style "H" has chrome like slip on glass retaining ring.

Extra cost option on all remote mount thermometers.

NOTE: Only available with rear (back) connection.

STYLE	DIAL SIZE(S)	MATERIAL
B	3½" -4½" -6"	Aluminum Black Textured
H	8½" Only	Enamel Finish



GAUGE SIZE		A	B	C	D	E	F	H	X
3½	INCH	2¼	¼	4 <sup>15</sup> / <sub>16</sub>	4 <sup>1</sup> / <sub>8</sub>	2	3 <sup>13</sup> / <sub>16</sub>	1 <sup>1</sup> / <sub>32</sub>	3 <sup>15</sup> / <sub>16</sub>
	MM	57	6	125	105	51	97	26	100
4½	INCH	2 <sup>1</sup> / <sub>16</sub>	¼	5 <sup>5</sup> / <sub>16</sub>	5	2 <sup>1</sup> / <sub>4</sub>	4 <sup>3</sup> / <sub>4</sub>	1½	4 <sup>7</sup> / <sub>8</sub>
	MM	68	6	149	127	57	121	38	124
6	INCH	3½	¾	7 <sup>9</sup> / <sub>16</sub>	6½	2 <sup>7</sup> / <sub>16</sub>	6 <sup>9</sup> / <sub>16</sub>	1 <sup>7</sup> / <sub>16</sub>	6 <sup>5</sup> / <sub>16</sub>
	MM	89	7	192	165	62	157	37	160

X-PANEL HOLE CUT-OUT DIAMETER



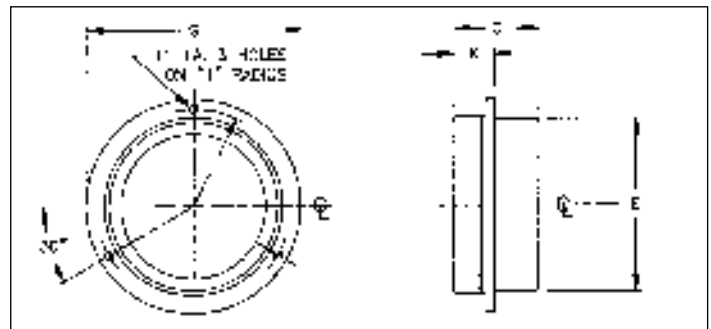
Front flanged case for semi-flush mounting.

Bayonet type glass retaining ring.

Extra cost option 4½" dial size remote mount thermometers.

NOTE: Only available with rear (back) connection.

STYLE	DIAL SIZE(S)	MATERIAL
V	4½"	Stainless Steel (300 Series)



GAUGE SIZE		A	B	C	H	K	L
3½	INCH	1 <sup>5</sup> / <sub>8</sub>	3 <sup>5</sup> / <sub>8</sub>	5 <sup>5</sup> / <sub>16</sub>	7 <sup>7</sup> / <sub>32</sub>	2 <sup>1</sup> / <sub>8</sub>	1 <sup>1</sup> / <sub>16</sub>
	MM	41	92	132	6	29	17
4½	INCH	2 <sup>1</sup> / <sub>8</sub>	4 <sup>9</sup> / <sub>16</sub>	5 <sup>15</sup> / <sub>16</sub>	7 <sup>7</sup> / <sub>32</sub>	2 <sup>1</sup> / <sub>16</sub>	1 <sup>3</sup> / <sub>16</sub>
	MM	54	116	151	6	68	21

NOTE: ALL DIMENSIONS ARE APPROXIMATE.