

General Purpose Digital Gauge Type WDG4251L $\pm 1/2\%$ of Span Terminal Point Accuracy

STANDARD FEATURES

The Weksler WDG4251L offers 0.5% of span accuracy, while the stainless steel sensor and socket make this product suitable not only for dry air applications but for other media as well.

This product offers selectable units of measure so rather than purchasing one gauge for each unit of measure required, the solution is one gauge for multiple units of measure.

The WDG4251L is standard with many features not offered, or offered only as options, on competitor's digital gauge products, such as peak hold and 5 digit display. When compared to mechanical gauges the WDG4251L offers overall enhanced value.

- Enhanced value versus mechanical gauges
- No-nonsense accuracy – $\pm 0.5\%$ full scale accuracy
- Easy-to-read – 5 digit display with .48" character size, backlite display feature to enhance visibility
- Versatile – nine engineering units and stainless steel sensor suitable for a variety of applications
- Standard features – max.-pressure indication; ranges from vacuum to 20,000 psi, including compound
- Competitively priced
- IP65



PRODUCT SPECIFICATIONS

Type no.:	WDG4251L
Accuracy:	$\pm 0.5\%$ of span
Case Size:	2 1/2"
Case Material:	Polycarbonate
Wetted Parts:	17-4 PH stainless steel sensor; 316L stainless steel socket
Socket Size:	1/4 NPT
Connection:	Lower
Ranges:	Vac. thru 20,000 psi (see engineering units below for other units of measurement)
Battery:	Two AA alkaline batteries; 2000 hours battery life
Overpressure:	
Proof Pressure:	Vac – 2,000: 200%
% of Span	3,000 – 5,000: 150%
	7,500 – 20,000: 120%
Burst Pressure:	Vac – 2,000: 800%
% of Span	3,000 – 5,000: 500%
	7,500 – 20,000: 300%
Cycle Life:	10 million cycles
Vibration:	MIL-STD-202G, Method 201A
Shock:	MIL-STD-202G, Method 213B, Test Condition K
Operating Temp.:	-4°F to 140°F, (-20°C to 60°C) ambient temp.; -4°F to 176°F, (-20°C to 80°C) process media temp
Storage Temp.:	Batteries Installed: -4°F to 140°F, (-20°C to 60°C) Batteries Removed: -4°F to 176°F, (-20°C to 80°C)
Temp. Coef.:	0.04%/°F (-20°F to 180°F) zero and span Reference Temp. 70°F
Update Rate:	1Hz, 2Hz, 4Hz
Agency Approvals:	CE (heavy industrial), ASME B40.7, RoHS, UL 61010/ cUL (pending)
Packaging:	Individual carton

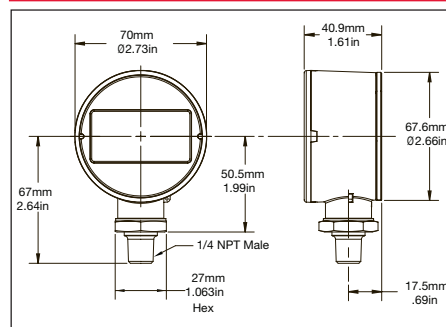
DISPLAY

Type:	LCD	
Display Digits:	5	
Display Resolution:	Full Scale Numerical Value	Display Resolution
	$\geq -15 < 0$	-XX.000
	$> 0 < 2$	X.0000
	$> 2 < 20$	XX.000
	$\geq 20 < 200$	XXX.00
	$\geq 200 < 2000$	XXXX.0
	$\geq 2000 < 19,999$	XXXXX
Character Height:	0.48"	
Backlight:	OFF by default	
Battery:	Four-level battery indication	

KEYBOARD FUNCTIONS

On/Off:	Manually turns unit on and off (four options: never, 5 min., 10 min., 20 min.)
Maximum (Peak Hold):	Displays max. value when activated
Zero/Clear:	Zeros display or clears max. value when activated
Engineering Units:	psi, in.Hg, cmHg, mmHg, kPa, MPa, bar, kg/cm ² , ftH ₂ O
Field Calibration:	Zero and span

W-DG4251L GAUGE DIMENSIONS



CATALOG NUMBERS

Dial Size	2 1/2"
Connection Location	Bottom
Connection NPT	1/4
Range	
30"/0/vac.	WDG4251LVC4L
0-15 psi	WDG4251LPC4L
0-30 psi	WDG4251LPD4L
0-60 psi	WDG4251LPE4L
0-100 psi	WDG4251LPF4L
0-150 psi	WDG4251LP14L
0-200 psi	WDG4251LPH4L
0-300 psi	WDG4251LPJ4L
0-500 psi	WDG4251LPL4L
0-1000 psi	WDG4251LPP4L
0-2000 psi	WDG4251LPS4L
0-3000 psi	WDG4251LPT4L
0-5000 psi	WDG4251LPV4L
0-10,000 psi	WDG4251LPY4L
0-15,000 psi	WDG4251LPZ4L
0-20,000 psi	WDG4251LP24L

TO ORDER SPECIFY 12 DIGIT CATALOG NUMBER FROM TABLE ABOVE